



sales@orientinsulators.com
<http://www.line-post-insulator.com>

Chapter 2

Line Post Insulator Properties

2.1 Line post insulator clamps

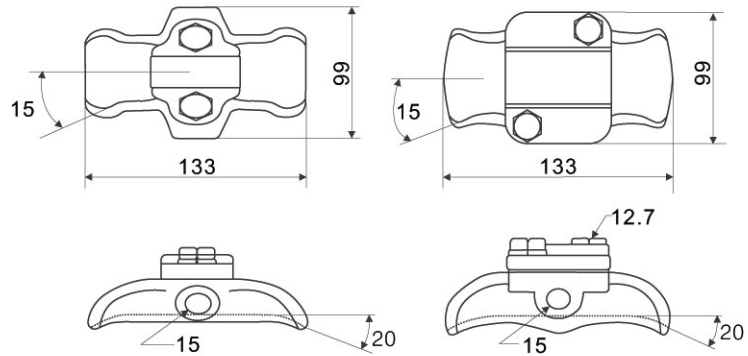
By Orient Power

Line post insulator clamps



Line post insulator has tie top series and clamp top series.

The following clamps are suitable for line post insulator ANSI 57-11, 57-12, 57-13, 57-14, 57-15, and ANSI 57-21, 57-22, 57-23, 57-24, 57-25.



Type	Malleable iron	57-11 a1	57-11 b1	57-11 c1	57-11 d1
	Aluminum alloy	57-11 a2	57-11 b2	57-11 c2	57-11 d2
Outside diameter of conductor	Max (mm)	14.2	21.3	26.9	38.1
	Min (mm)	6.35	8.89	12.7	25.4

Line post insulator clamps type can fix conductor directly on the clamp, no need the ties to fix the wire or conductor, this makes the set up easy, and also give the conductor certain flexibility.

Line post insulator clamps types:

- Vertical clamps
- Horizontal clamps.



Orient Power

sales@orientinsulators.com
<http://www.line-post-insulator.com>