



sales@orientinsulators.com
<http://www.line-post-insulator.com>

Chapter 2

Line Post Insulator Properties

2.2 Line post insulator stud

By Orient Power

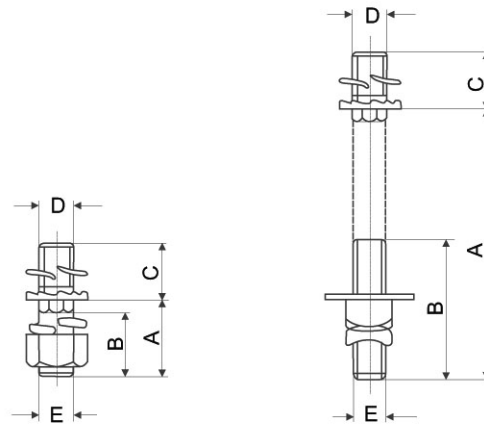
Line post insulator stud



Line post insulator stud types:

- Short stud
- Long stud

Short stud is suitable for iron cross arm, long stud is suitable for wooden crossarm.



Type of crossarm		Steel	Wood	Steel	Wood
Dimension mm	A	45	178	45	178
	B	37	89	37	89
	C	31	31	31	31
	D	M20	M20	M20	M20
	E	M16	M16	M20	M20

The studs are suitable for the following line post insulators:

- ANSI 57-1, 57-2, 57-3, 57-4, 57-5
- ANSI 57-11, 57-12, 57-13, 57-14, 57-15
- ANSI 57-21, 57-22, 57-23, 57-24, 57-25

You can get more information about clamps in article 2.1 line post insulator clamps.



Orient Power

sales@orientinsulators.com
<http://www.line-post-insulator.com>